

## Prince 2020 Volume Deboner

The Prince 2020 Deboner offers high volume output and superior yield unmatched in the industry. As efficient as it is effective, the 2020 Deboner provides the highest cost efficiency per pound of deboning meat.

The 2020 stainless steel Deboner is engineered with innovative thrust housing and requires little maintenance.

Simple to operate, the 2020 Deboner uses a high yield screen design and maximum yield setting which results in minimum temperature rise. It provides a wide range of deboned products such as particle matter from all forms of chicken, turkey, beef, pork, lamb and fish.

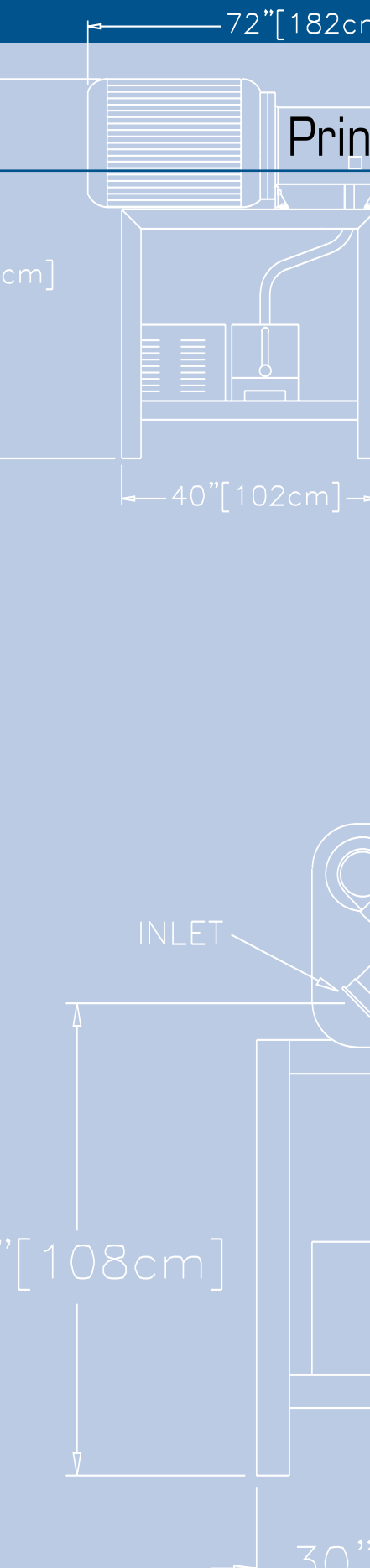
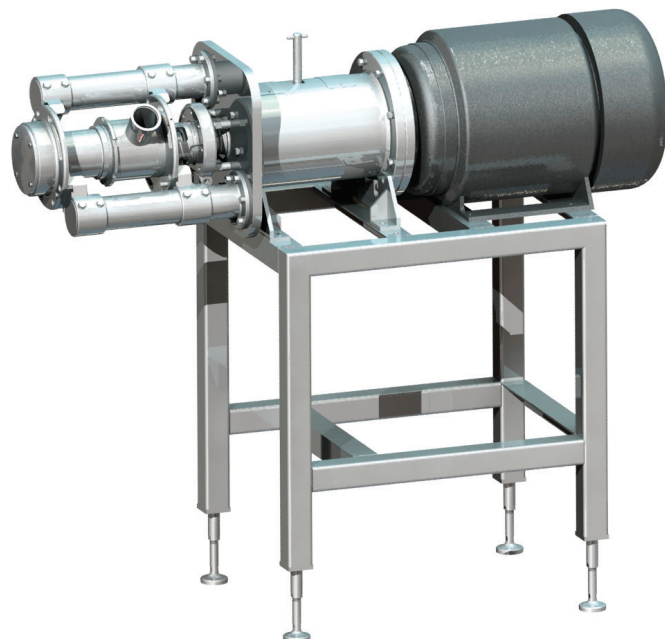
The 2020's unique self-pumping feature has the capability to pump deboned meat both short and long distances.

This allows the meat to be moved from the deboner to mixer/blenders, hopper, pack off, or combos without the expense of extra pumps and conveyors.

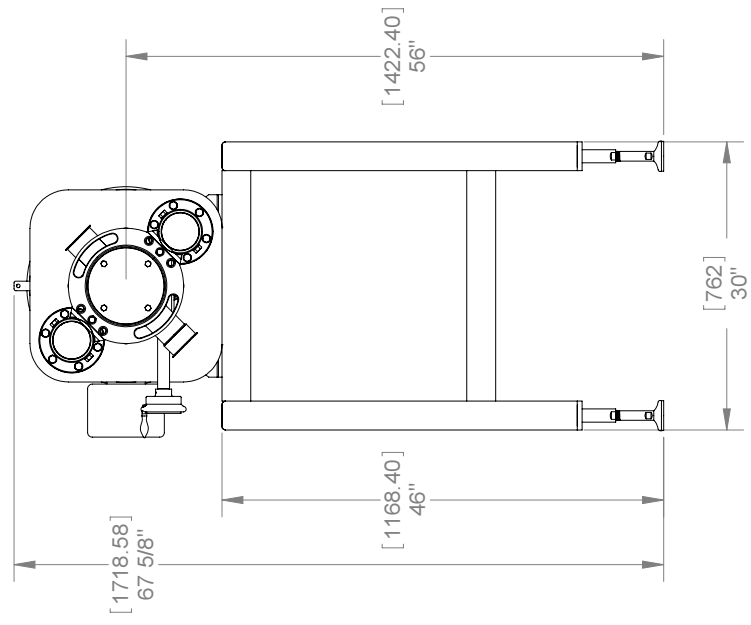
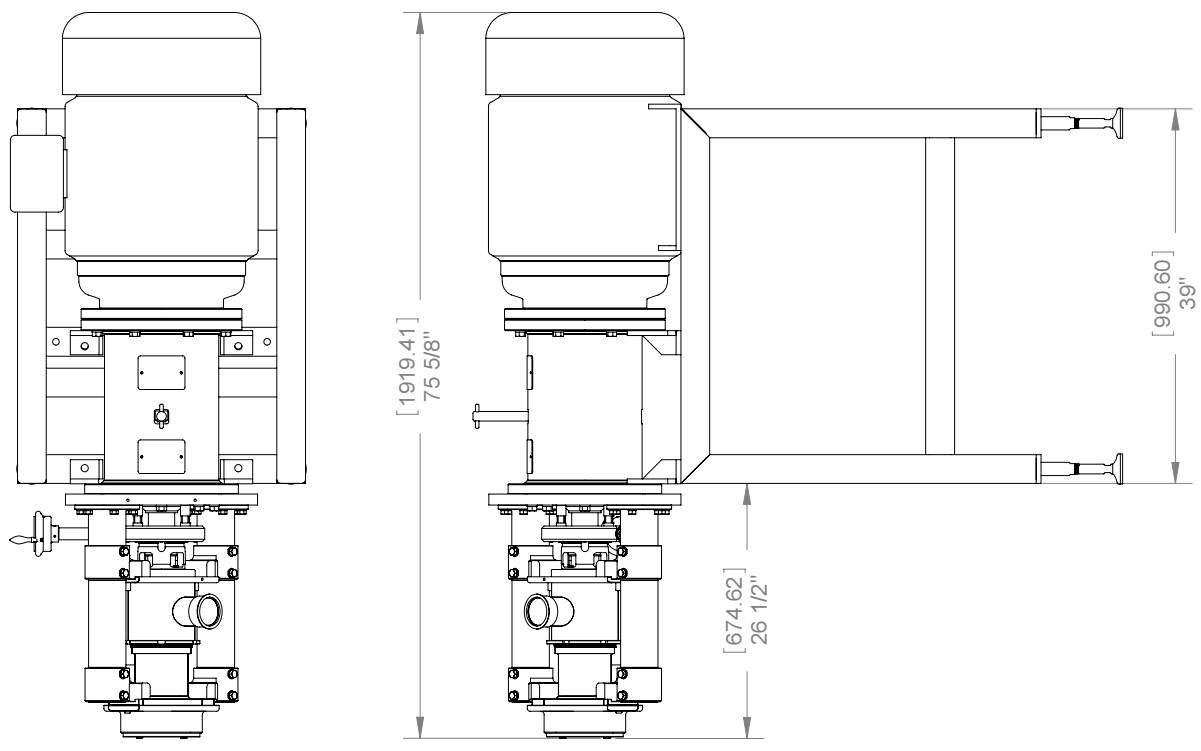
**Capacity per hour** - 10,000 - 30,000+ lbs. / 4,500 - 13,700+ kgs.

**Floor space** - 30" x 75" / 76 cm x 190 cm

**Horsepower** - 75 - 125 hp



# Model 2020



**PRINCE INDUSTRIES, INC.**  
 P.O. Box 290  
 Murrayville, GA 30564 USA  
 Phone: (770) 536-3679, Fax: (770) 535-2548  
 800-441-3303  
[princeindustriesinc.com](http://princeindustriesinc.com)

