

Prince 2000 Volume Deboner

As with all Prince deboners, the 2000 Deboner is a cost effective, high-quality machine and is simple to operate and maintain.

The 2000 Deboner offers a medium volume output. An excellent investment, the machine can be easily upgraded at minimal cost to handle more volume. This feature makes it an attractive choice for expanding companies that predict growing mechanical deboning needs in the future.

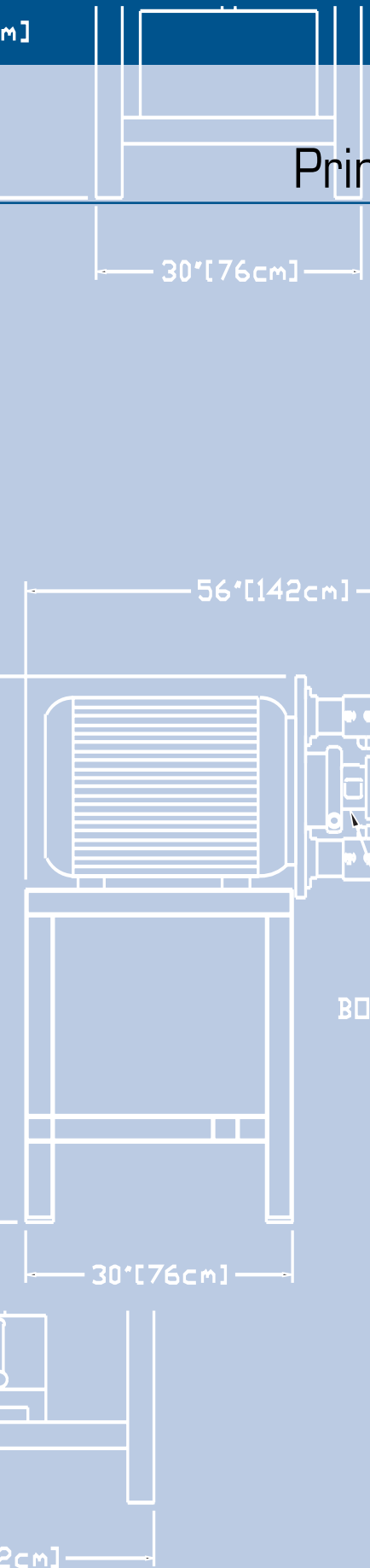
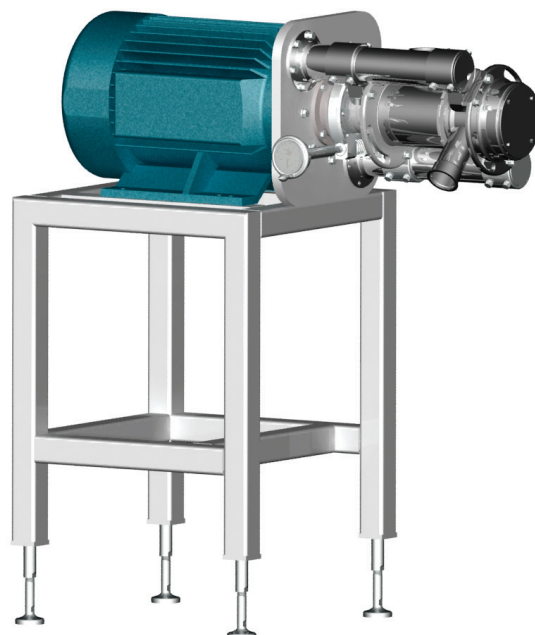
The 2000 Deboner is designed to provide a wide range of mechanically deboned products.

The 2000's unique self-pumping feature has the capability to pump deboned meat a short distance (2m) from the deboner to mixer/blenders, hoppers, pack off areas, or combos without the expense of extra pumps and conveyors.

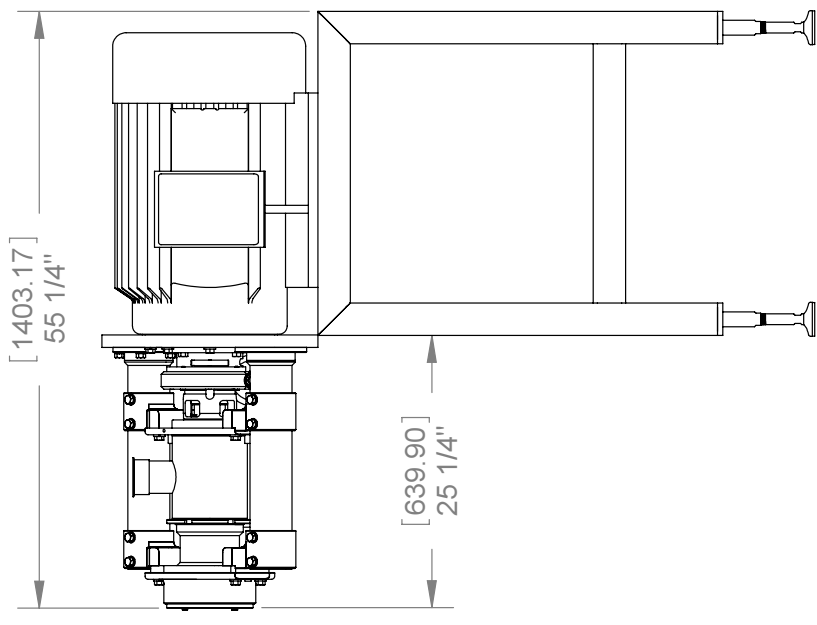
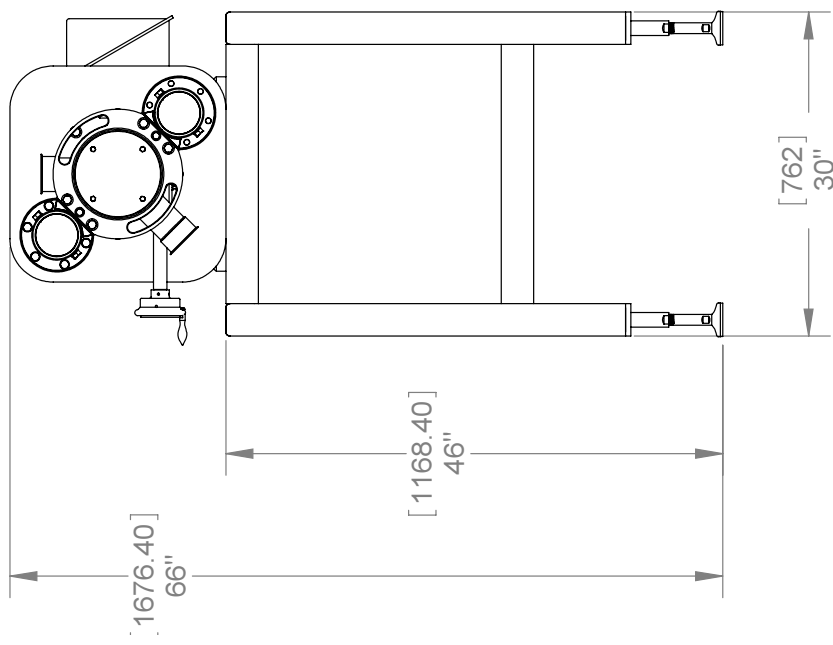
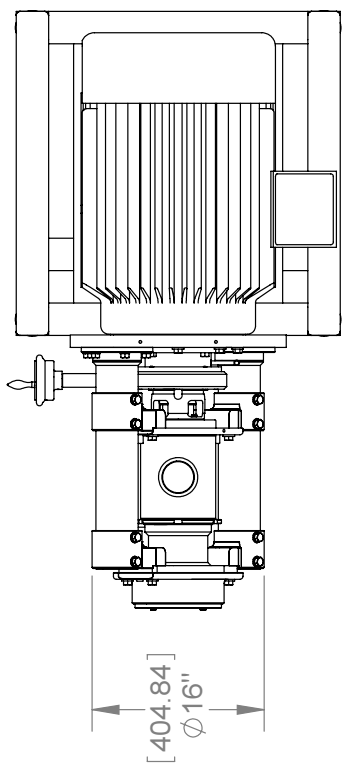
Capacity Per Hour - 4,000 - 10,000 lbs. / 1,800 – 4,500 kgs.

Floor Space - 30" x 55" / 76cm x 140cm

Horsepower - 75



Model 2000



PRINCE INDUSTRIES, INC.
 P.O. Box 290
 Murrayville, GA 30564 USA
 Phone: (770) 536-3679, Fax: (770) 535-2548
 800-441-3303
princeindustriesinc.com

